

# Product data sheet

## Characteristics

# XS530B1DAL10

Inductive proximity sensors XS, inductive sensor XS5 M30, L62mm, brass, Sn10mm, 12...48 VDC, cable 10 m



Product availability: Non-Stock - Not normally stocked in distribution facility

Price\*: 102.33 USD



### Main

|                                    |   |
|------------------------------------|---|
| Range of Product                   | Telemecanique Inductive proximity sensors XS                                    |
| Series name                        | General purpose   |
| Sensor Type                        | Inductive proximity sensor  |
| Device Application                 | -   |
| Sensor name                        | XS5   |
| Sensor design                      | Cylindrical M30   |
| Size                               | 54 mm   |
| Body type                          | Fixed   |
| Detector flush mounting acceptance | Flush mountable   |
| Material                           | Metal   |
| Type of output signal              | Discrete  |
| Wiring Technique                   | 2-wire  |
| [Sn] nominal sensing distance      | 0.39 In (10 mm)   |
| Discrete output function           | 1 NO  |
| Output circuit type                | DC  |
| Electrical connection              | Cable   |
| Cable length                       | 32.81 Ft (10 m)   |
| [Us] rated supply voltage          | 12...48 V DC  |
| Switching capacity in mA           | 1.5...100 mA DC overload and short-circuit protection                           |
| IP degree of protection            | IP68 double insulation conforming to IEC 60529<br>IP69K conforming to DIN 40050 |

### Complementary

|                    |                           |
|--------------------|---------------------------|
| Thread type        | M30 x 1.5                 |
| Detection face     | Frontal                   |
| Front material     | PPS                       |
| Enclosure Material | Nickel Plated Brass       |
| Operating zone     | 0.00...0.31 In (0...8 mm) |

|                          |                            |
|--------------------------|----------------------------|
| Differential travel      | 1...15% of Sr              |
| Cable composition        | 2 x 0.34 mm <sup>2</sup>   |
| Wire insulation material | PvR                        |
| Status LED               | Output state 1 LED yellow) |
| Supply voltage limits    | 10...58 V DC               |
| Maximum residual current | 0.5 MA open state          |
| Switching frequency      | <= 2000 Hz                 |
| Maximum voltage drop     | <4 V closed)               |
| Maximum delay first up   | 10 Ms                      |
| Maximum delay response   | 0.3 Ms                     |
| Maximum delay recovery   | 0.3 Ms                     |
| Marking                  | CE                         |
| Threaded length          | 2.05 In (52 mm)            |
| Maximum Height           | 1.18 In (30 mm)            |
| Length                   | 2.44 In (62 mm)            |
| Net Weight               | 1.16 Lb(US) (0.525 kg)     |

## Environment

|                                       |   |
|---------------------------------------|---|
| Product Certifications                | CCC<br>CSA<br>UL                        |
| Ambient Air Temperature for Operation | -13...158 °F (-25...70 °C)              |
| Ambient Air Temperature for Storage   | -40...185 °F (-40...85 °C)              |
| Vibration resistance                  | 25 gn +/- 2 mm 10...55 Hz)IEC 60068-2-6 |
| Shock resistance                      | 50 gn 11 ms IEC 60068-2-27              |

## Ordering and shipping details

|                       |                            |
|-----------------------|----------------------------|
| Category              | 22486 - SENSORS, PROXIMITY |
| Discount Schedule     | DS2                        |
| GTIN                  | 03389110132274             |
| Nbr. of units in pkg. | 1                          |
| Package weight(Lbs)   | 13.02 Oz (369 g)           |
| Returnability         | No                         |
| Country of origin     | FR                         |

## Packing Units

|                              |                        |
|------------------------------|------------------------|
| Unit Type of Package 1       | PCE                    |
| Package 1 Height             | 2.60 In (6.6 cm)       |
| Package 1 width              | 3.78 In (9.6 cm)       |
| Package 1 Length             | 5.20 In (13.2 cm)      |
| Unit Type of Package 2       | BAG                    |
| Number of Units in Package 2 | 1                      |
| Package 2 Weight             | 13.02 Oz (369 g)       |
| Package 2 Height             | 2.17 In (5.5 cm)       |
| Package 2 width              | 9.84 In (25 cm)        |
| Package 2 Length             | 7.87 In (20 cm)        |
| Unit Type of Package 3       | S01                    |
| Number of Units in Package 3 | 6                      |
| Package 3 Weight             | 5.04 Lb(US) (2.284 kg) |
| Package 3 Height             | 5.91 In (15 cm)        |
| Package 3 width              | 5.91 In (15 cm)        |
| Package 3 Length             | 15.75 In (40 cm)       |

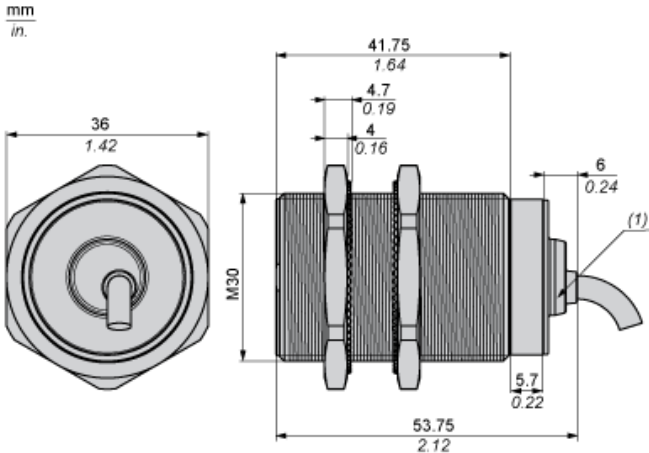
## Offer Sustainability

|                            |  |
|----------------------------|--|
| Sustainable offer status   | Green Premium product  |
| California proposition 65  | WARNING: This product can expose you to chemicals including: Diisononyl phthalate (DINP), which is known to the State of California to cause cancer, and Diisodecyl phthalate (DIDP), which is known to the State of California to cause birth defects or other reproductive harm. For more information go to <a href="http://www.P65Warnings.ca.gov">www.P65Warnings.ca.gov</a> |
| REACH Regulation           | <a href="#">REACH Declaration</a>  |
| EU RoHS Directive          | Pro-active compliance (Product out of EU RoHS legal scope) <a href="#">EU RoHS Declaration</a>   |
| Mercury free               | Yes  |
| RoHS exemption information | <a href="#">Yes</a>  |
| Environmental Disclosure   | <a href="#">Product Environmental Profile</a>  |
| Circularity Profile        | <a href="#">End Of Life Information</a>  |

## Contractual warranty

|          |           |
|----------|-----------|
| Warranty | 18 months |
|----------|-----------|

Dimensions



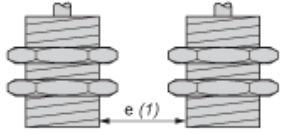
(1) LED

---

Minimum Mounting Distances

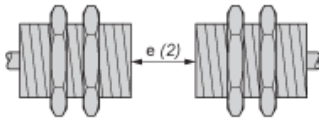
---

Side by side



$e (1) \geq 20 \text{ mm} / 0.79 \text{ in}$

Face to face



$e (2) \geq 20 \text{ mm} / 4.72 \text{ in}$

Facing a metal object



$e (3) \geq 30 \text{ mm} / 1.18 \text{ in}$ .

---

Wiring Schemes

---

2-Wire Non-polarised

NO output



BU : Blue  
BN : Brown

Performance Curves

Standard Steel Target : 30x30x1 mm



- (1) Pick-up points
- (2) Drop-out points (object approaching from the side)
- (y) Sensing distance in mm

Product Life Status : **Commercialised**